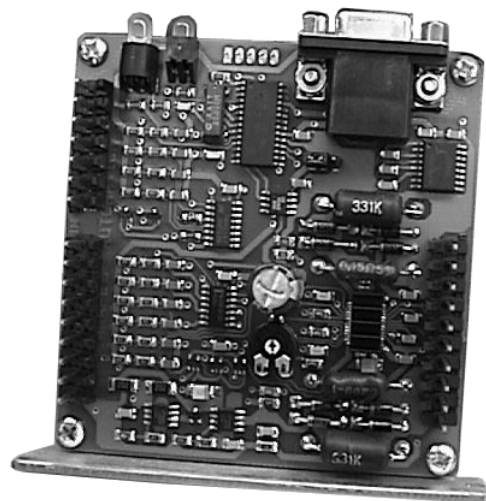


# PRODUCT RELEASE

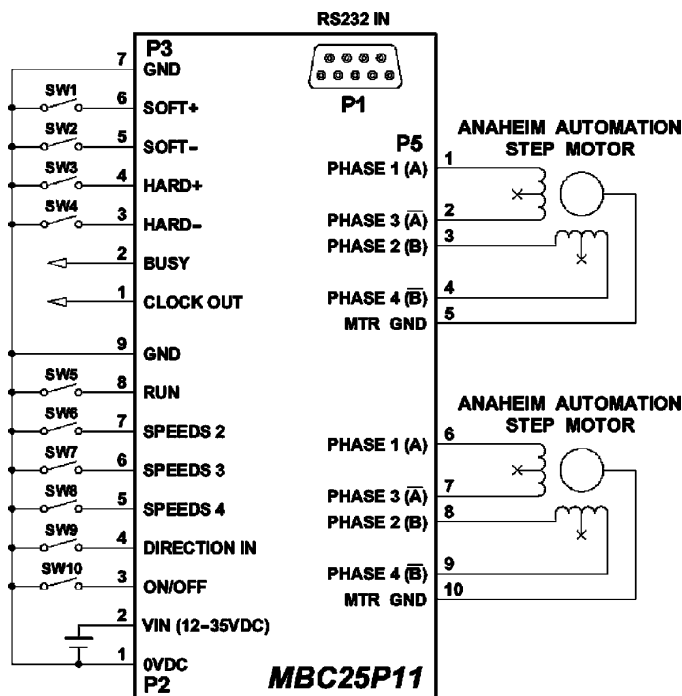
## MBC25P11 - Programmable Driver/Pulse Generator

- Simple Programming Using a PC's Serial Port
- Four Programmable Speed Selections
- Two Ramp Down Modes
- Three Inputs to Select Speed Banks
- Hard and Soft Limit Switch Inputs
- Programmable Acceleration and Deceleration

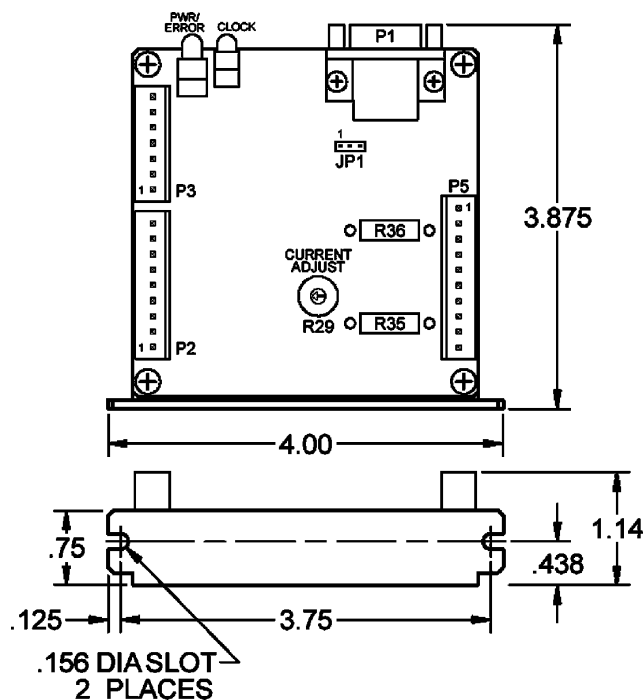


Anaheim Automation introduces its latest advancement in pulse generator/driver technology, the MBC25P11. Unlike other pulse generators with potentiometer settings, the MBC25P11 can be programmed, with exact speeds. It was specially designed for applications requiring step motors to sync up at precise acceleration, deceleration, and speed. Not only one speed, but up to four different speeds can be programmed. Additionally, the MBC25P11 includes a 2.5A driver (for one or two motors), inputs for hard and soft limit switches, two ramp down modes, three inputs to select speed banks, and a run/stop input. All these features are incorporated in a compact, cost-effective package. Perhaps the most appreciable feature of the MBC25P11 is how easy it is to program and use. It comes with Easy-to-Use Windows software that allows the user to enter all the parameters necessary for a specific application, then send the information to the MBC25P11 via serial cable. The speeds can then be executed on startup or on command. If the application requires more than one MBC25P11, speeds can be saved on computer and sent to the multiple units by simply plugging in the serial cable and clicking SEND. This is an effective way of modifying speeds and quickly sending the information to multiple units. If your application calls for a durable, cost effective drive at precise speeds, the MBC25P11 is the answer.

### Hookups



### Dimensions



**ANAHEIM AUTOMATION**

910 East Orangefair Lane, Anaheim, CA 92801  
e-mail: info@anaheimautomation.com

(714) 992-6990 fax: (714) 992-0471  
website: www.anaheimautomation.com